

**PRODUCT DATASHEET**

**Panasonic**

**Product Name :** Thea Modular 2M 2P+E Socket

**Product Code :** WVTT22129\*\*

**Product Series :** Thea Modular

**Technical Specifications:**

*Rated Current :* 16AX 250V

*Cable Diameter :* 1,5mm<sup>2</sup>-2,5mm<sup>2</sup>

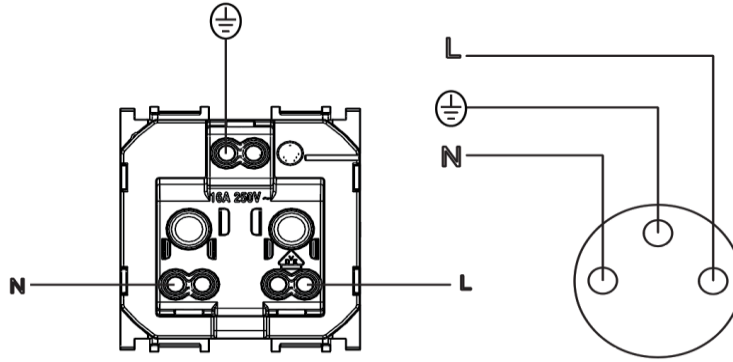
**Material :** ABS (Acrylonitrile Butadine-Styrene)

**Certificates :** VDE, EAC, CE, TSE, WEEE

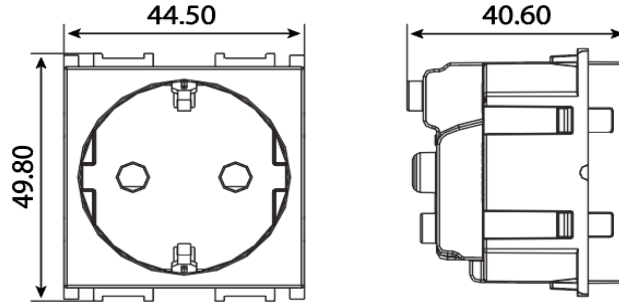
**Colour Options\*\* :** WH: White, BG: Beige, MW: Methalic White, BL: Black, DR: Dark Grey, AN: Anthracite, DR: Dore



**Wiring and Circuit Diagram:**



**Dimensions:**



Panasonic Electric Works Elektrik.San. ve Tic. A.Ş.

Abdurrahmangazi Mah. Ebubekir Cad. No: 44 Sancaktepe / İstanbul Tel: 0216 564 55 55 Fax: 0216 564 55 44

ewtr.panasonic.com