

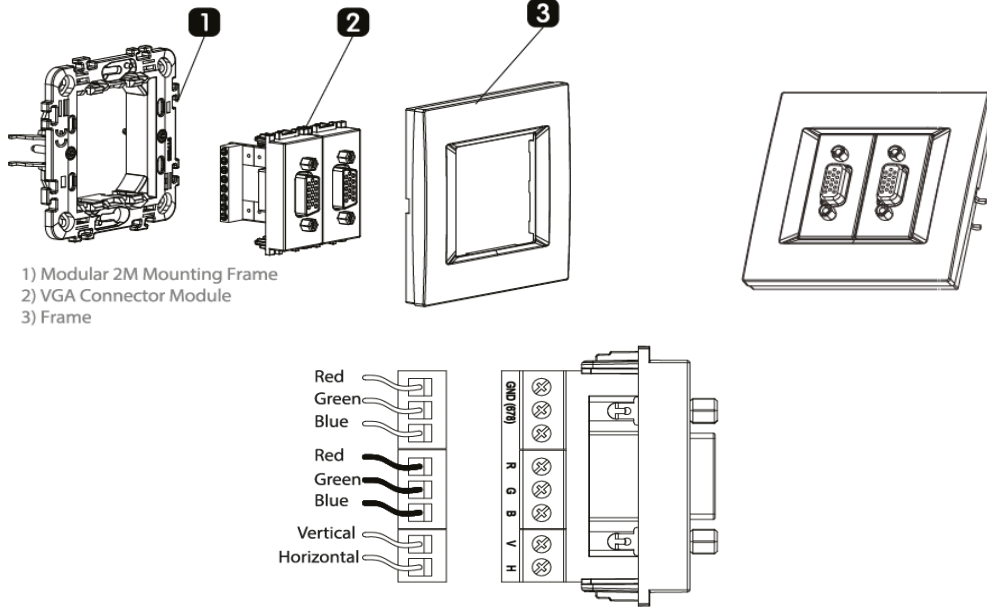
PRODUCT DATASHEET

Panasonic

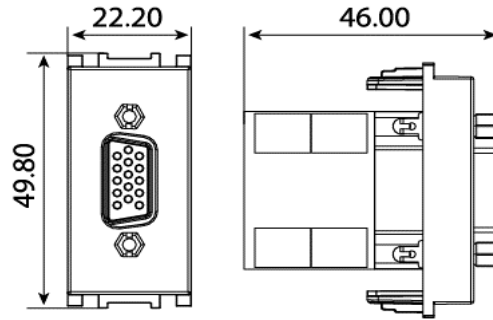
Product Name :	Modular 1M VGA Connector with PCB
Product Code :	WVTT14739**
Product Series :	Thea Modular
Material :	ABS (Acrylonitrile Butadine-Styrene)
Colour Options** :	WH: White, BG: Beige, MW: Methalic White, BL: Black, DR: Dark Grey, AN: Anthracite, DR: Dore
Certificates :	CE, WEEE



Mounting:



Dimensions:



Panasonic Electric Works Elektrik.San. ve Tic. A.Ş.
Abdurrahmangazi Mah. Ebubekir Cad. No: 44 Sancaktepe / Istanbul Tel: 0216 564 55 55 Fax: 0216 564 55 44
ewtr.panasonic.com