

**PRODUCT DATASHEET**

**Panasonic**

<b>Product Name :</b>	<i>Thea Modular 1M TV Socket Lossless</i>
<b>Product Code :</b>	<i>WVTT14549**</i>
<b>Product Series :</b>	Thea Modular
<b>Technical Specifications:</b>	
<b>Material :</b>	ABS (Acrylonitrile Butadine-Styrene)
<b>Certificates :</b>	CE, WEEE
<b>Colour Options** :</b>	WH: White, BG: Beige, MW: Methalic White, BL: Black, DR: Dark Grey, AN: Anthracite, DR: Dore

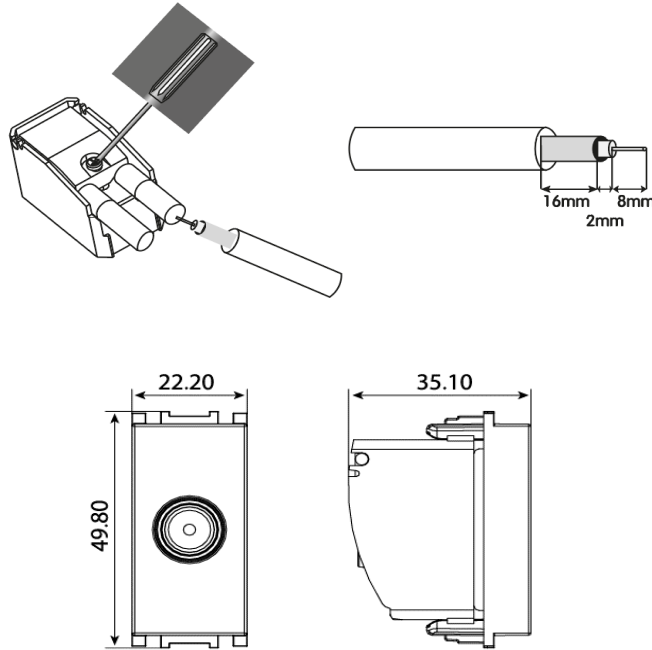


**Product Details :**

- Suitable for central antenna and CATTV.
- Not affected by the parasite signals coming from the air for shielding feature.
- Ease of assembly thanks to the rear cover with hinge feature.
- Can be used in TV Socket 5-1000 MHz band.
- RG 6 U6 type wire connection is recommended for the image quality.

f/MHz	TV				
	5-47	47-470	470-862	862-1000	1000
Subscriber Loss (dB)	≤ 3,5				
Transient Loss (dB)	≤ 3,5	≤ 5,0	≤ 5,0	≤ 5,0	≤ 5,0

**Dimensions:**



Panasonic Electric Works Elektrik.San. ve Tic. A.Ş.  
 Abdurrahmangazi Mah. Ebubekir Cad. No: 44 Sancaktepe / İstanbul Tel: 0216 564 55 55 Fax: 0216 564 55 44  
 ewtr.panasonic.com