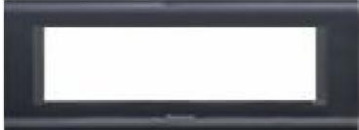
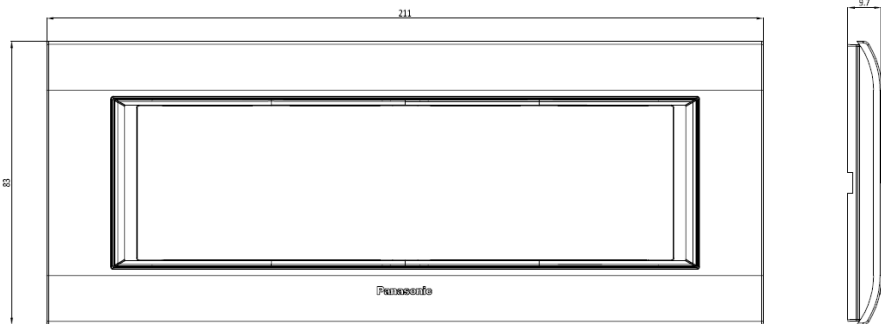


| PRODUCT DATASHEET   |  | Panasonic   |
|---|--|---|
| Product Name :  | Sistema 4M Frame   |  |
| Product Code :  | WVTF18475**  |   |
| Colou Options ** :  | AQ: Antique+Dore, AY: Antique+Black, CH: Chrome+Metallic White, CM: Chrome Matte+Metallic White, GL: Gold+Dore, GS: Gold+Black, IB: Inox Matte+Metallic White, IG: Inox+Dark Grey, IM: Inox Matte+Dore, IN: Inox+Metallic White, KD: Chrome Matte+Dark Grey, KF: Chrome+Dark Grey, UN: Una+Dark Grey, UW: Una+Metallic White |   |
| Technical Specifications:   |  |   |
| Material :  | ABS (Acrylonitrile Butadine-Styrene)   |   |
| Certifications  | CE   |   |
| Dimensions:   |  |   |
|   |  |   |
| <p>Panasonic Electric Works Elektrik.San. ve Tic. A.Ş.<br/> Abdurrahmangazi Mah. Ebubekir Cad. No: 44 Sancaktepe / İstanbul Tel: 0216 564 55 55 Fax: 0216 564 55 44<br/> ewtr.panasonic.com</p> |  |   |