
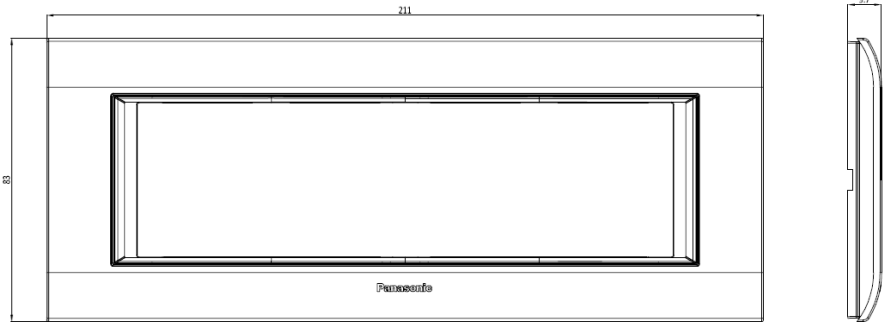


PRODUCT DATASHEET		Panasonic
Product Name :	<i>Sistema 4M Frame</i>	
Product Code :	<i>WVTF18475**</i>	
Colou Options ** :	AQ: Antique+Dore, AY: Antique+Black, CH: Chrome+Metallic White, CM: Chrome Matte+Metallic White, GL: Gold+Dore, GS: Gold+Black, IB: Inox Matte+Metallic White, IG: Inox+Dark Grey, IM: Inox Matte+Dore, IN: Inox+Metallic White, KD: Chrome Matte+Dark Grey, KF: Chrome+Dark Grey, UN: Una+Dark Grey, UW: Una+Metallic White	
Technical Specifications:		
Material :	ABS (Acrylonitrile Butadine-Styrene)	
Certifications	CE	
Dimensions:		
		
<p>Panasonic Electric Works Elektrik.San. ve Tic. A.Ş. Abdurrahmangazi Mah. Ebubekir Cad. No: 44 Sancaktepe / İstanbul Tel: 0216 564 55 55 Fax: 0216 564 55 44 ewtr.panasonic.com</p>		