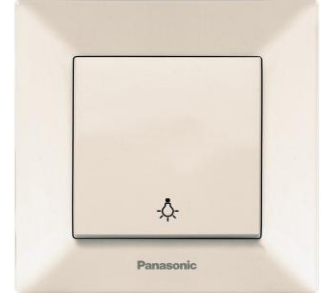


## PRODUCT DATASHEET

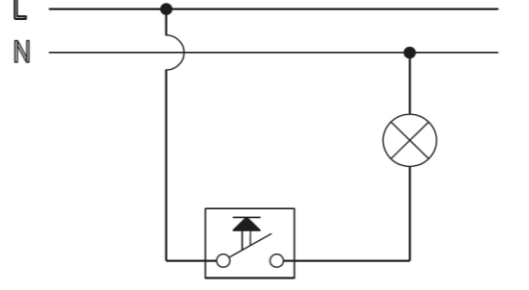
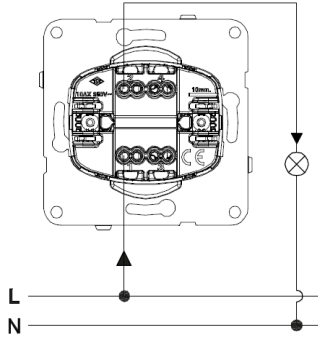
# Panasonic

<b>Product Name :</b>	<i>One Way Push Button</i>
<b>Product Code :</b>	<i>WMTC00162**</i>
<b>Product Series :</b>	Arkedia
<b>Technical Specifications:</b>	
<i>Rated Current :</i>	<i>10AX, 250V~</i>
<i>Terminal Type :</i>	<i>Screw Terminal</i>
<b>Material :</b>	ABS (Acrylonitrile Butadine-Styrene)
<b>Colour Options :</b>	White, Beige, Bronze, Dark Grey, Silver
<b>Certificates :</b>	TSE, VDE, NF, EAC, CE, WEEE
<b>Cable Standard:</b>	
<i>Cable Diameter :</i>	<i>1mm<sup>2</sup>-2,5mm<sup>2</sup></i>
<i>Applicable Cable:</i>	<i>Solid Wire, Stranded Wire</i>

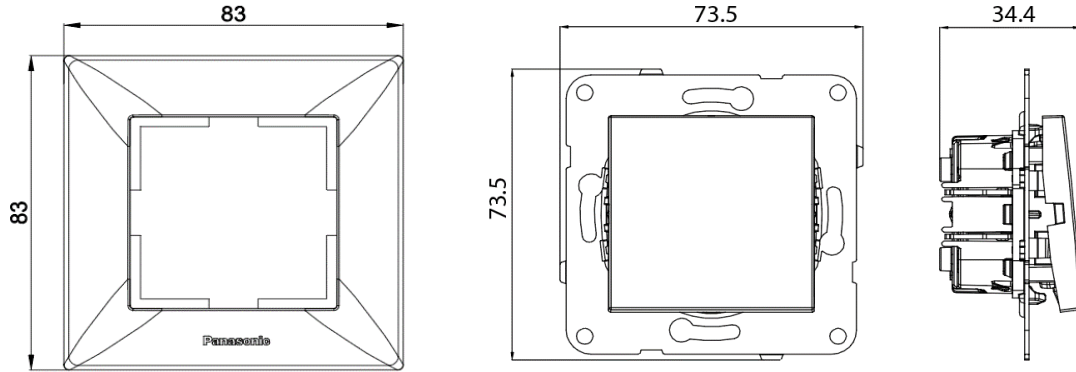


Screw  
Terminal

### Wiring Diagram:



### Dimensions:



Panasonic Electric Works Turkey Elektrik.San. ve Tic. A.Ş.

Abdurrahmangazi Mah. Ebubekir Cad. No: 44 Sancaktepe / İstanbul Tel: 0216 564 55 55 Fax: 0216 564 55 44

ewtr.panasonic.com