

PRODUCT DATASHEET

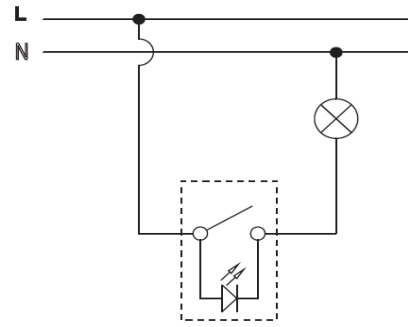
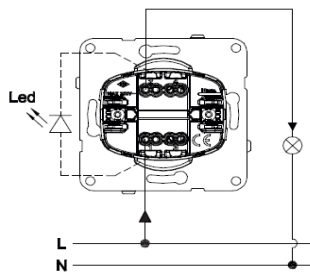
Panasonic

Product Name :	One Way Illuminated Switch
Product Code :	WMTC00022**
Product Series :	Arkedia
Technical Specifications:	
Rated Current :	10AX, 250V~
Terminal Type :	Screw Terminal
Material :	ABS (Acrylonitrile Butadine-Styrene)
Colour Options** :	WH: White, BG: Beige, BR: Bronze, DR: Dark Grey, SL: Silver
Certificates :	VDE, NF, EAC, CE, WEEE
Cable Standard:	
Cable Diameter :	1mm ² -2,5mm ²
Applicable Cable:	Solid Wire, Stranded Wire

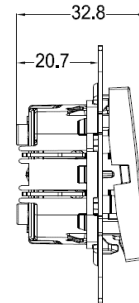
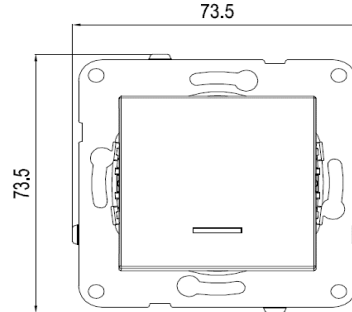
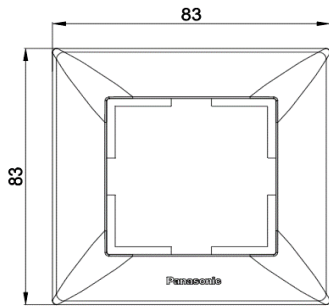


Screw
Terminal

Wiring Diagram:



Dimensions:



Panasonic Electric Works Turkey Elektrik.San. ve Tic. A.Ş.

Abdurrahmangazi Mah. Ebubekir Cad. No: 44 Sancaktepe / İstanbul Tel: 0216 564 55 55 Fax: 0216 564 55 44

ewtr.panasonic.com