

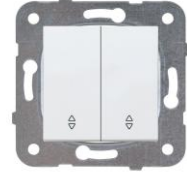
PRODUCT DATASHEET

Panasonic

Product Name :	Two Gang Two Way Switch
Product Code :	WKTC00112**/WKTT00112**
Product Series :	Karre Plus

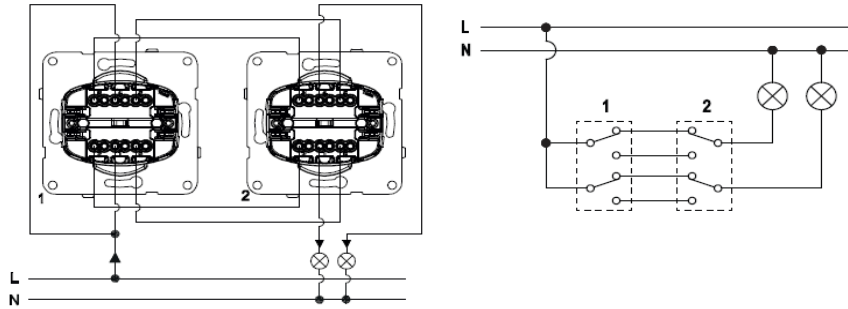
Technical Specifications:

Rated Current :	10AX, 250V ~
Terminal Type :	Screw Terminal
Material :	ABS (Acrylonitrile Butadine-Styrene)
Colour Options :	WH: White, BG: Beige, BR: Bronze, DG: Dark Grey, SL: Silver, BL: Black
Certificates :	CE, VDE, EAC, WEEE
Cable Standard:	
Cable Diameter :	1mm ² -2,5mm ²
Applicable Cable:	Solid Wire, Stranded Wire

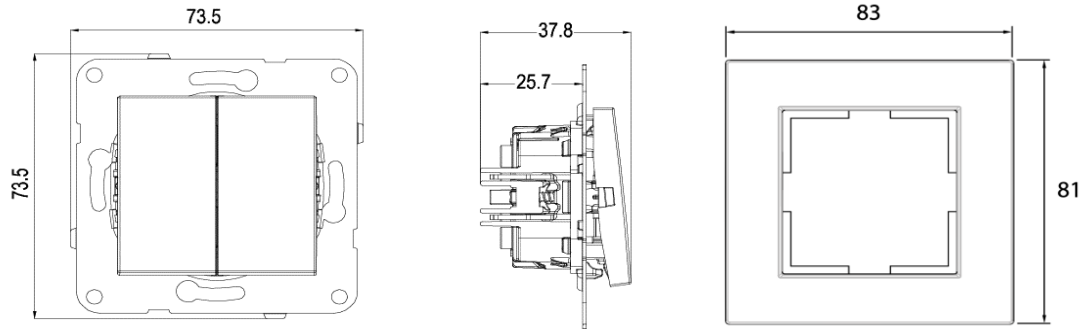


Screw Terminal

Wiring and Circuit Diagram:



Dimensions:



Panasonic Electric Works Elektrik.San. ve Tic. A.Ş.
Abdurrahmangazi Mah. Ebubekir Cad. No: 44 Sancaktepe / İstanbul Tel: 0216 564 55 55 Fax: 0216 564 55 44
ewtr.panasonic.com