

## PRODUCT DATASHEET

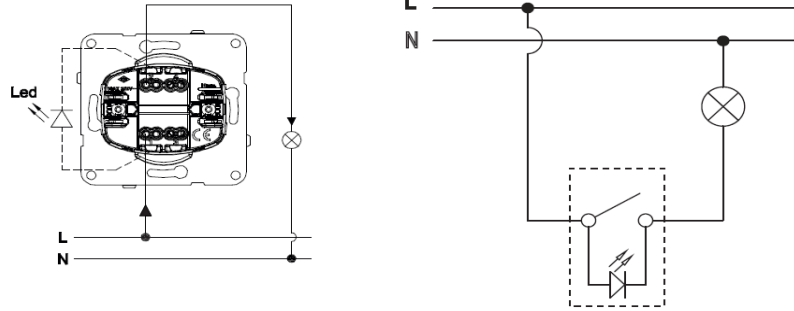
# Panasonic

<b>Product Name :</b>	Karre Plus One Way Illuminated Switch
<b>Product Code :</b>	WKTC00022**/WKTT00022**
<b>Product Series :</b>	Karre Plus
<b>Technical Specifications:</b>	
Rated Current :	10AX, 250V ~
Terminal Type :	Screw Terminal
<b>Material :</b>	ABS (Acrylonitrile Butadine-Styrene)
<b>Colour Options** :</b>	WH: White, BG: Beige, BR: Bronze, DG: Dark Grey, SL: Silver, BL: Black
<b>Certificates :</b>	VDE, EAC, CE, WEEE
<b>Cable Standard:</b>	
Cable Diameter :	1mm <sup>2</sup> -2,5mm <sup>2</sup>
Applicable Cable :	Solid Wire, Stranded Wire

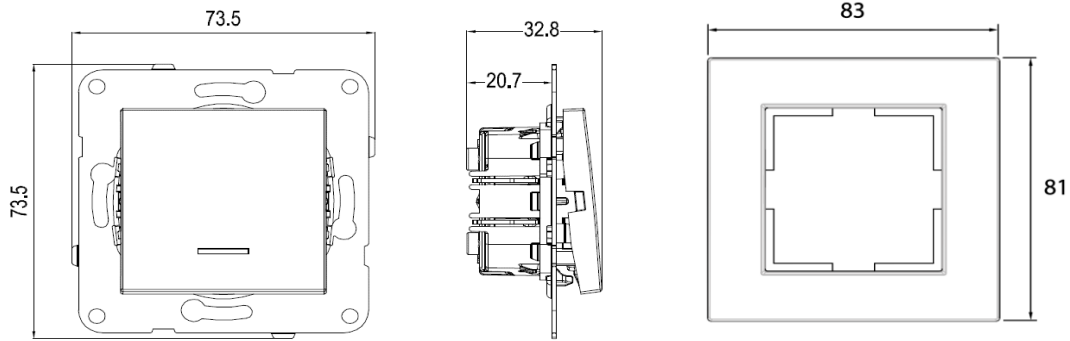


Screw  
Terminal

### Wiring Diagram:



### Dimensions:



Panasonic Electric Works Elektrik.San. ve Tic. A.Ş.  
Abdurrhamgazi Mah. Ebubekir Cad. No: 44 Sancaktepe / İstanbul Tel: 0216 564 55 55 Fax: 0216 564 55 44  
ewtr.panasonic.com