

PRODUCT DATASHEET

Panasonic

Product Name : Two Gang One Way Switch

Product Code : WKTC00092**/WKTT00092**

Product Series : Karre Plus

Technical Specifications:

Rated Current : 10AX, 250V ~

Terminal Type : Screw Terminal

Material : ABS (Acrylonitrile Butadine-Styrene)

Colour Options :** WH: White, BG: Beige, BR: Bronze, DR: Dark Grey, SL: Silver

Certificates : VDE, EAC, CE, WEEE

Cable Standard:

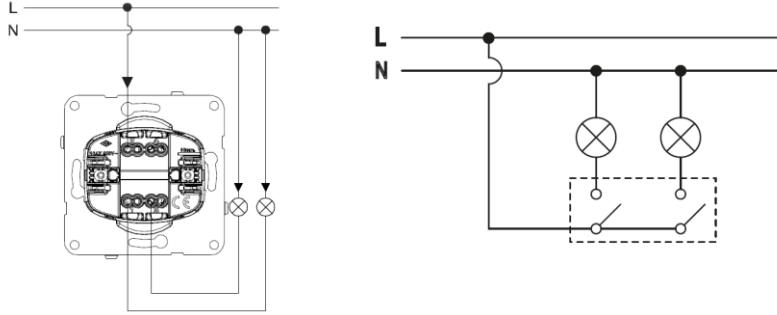
Cable Diameter : 1mm²-2,5mm²

Applicable Cable : Solid Wire, Stranded Wire

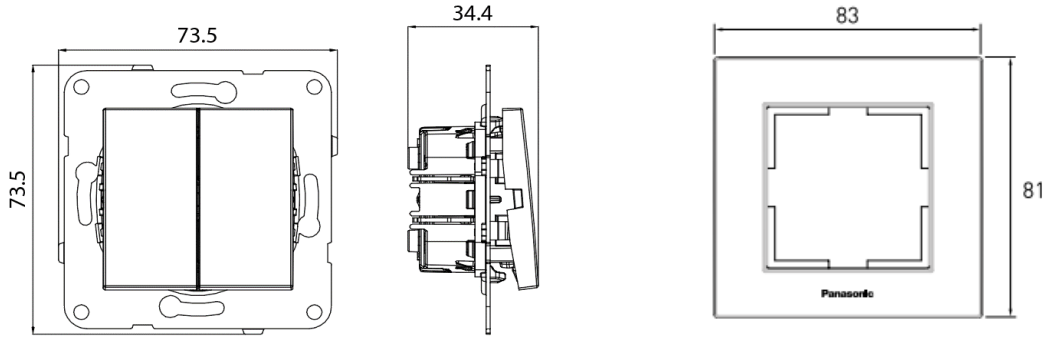


Screw
Terminal

Wiring Diagram:



Dimensions:



Panasonic Electric Works Elektrik.San. ve Tic. A.Ş.

Abdurrhimgazi Mah. Ebubekir Cad. No: 44 Sancaktepe / İstanbul Tel: 0216 564 55 55 Fax: 0216 564 55 44

ewtr.panasonic.com