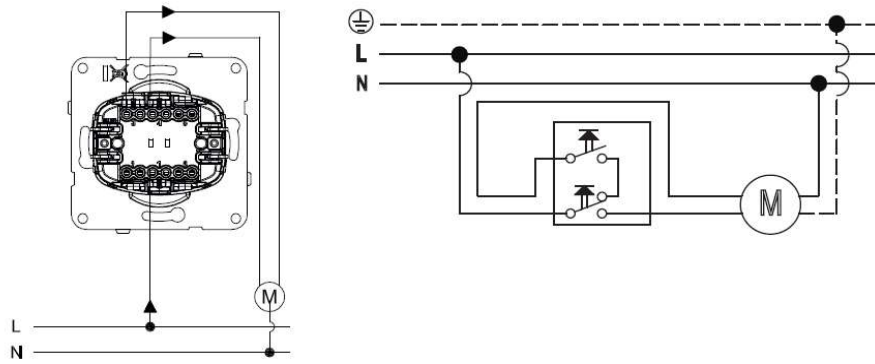


Panasonic

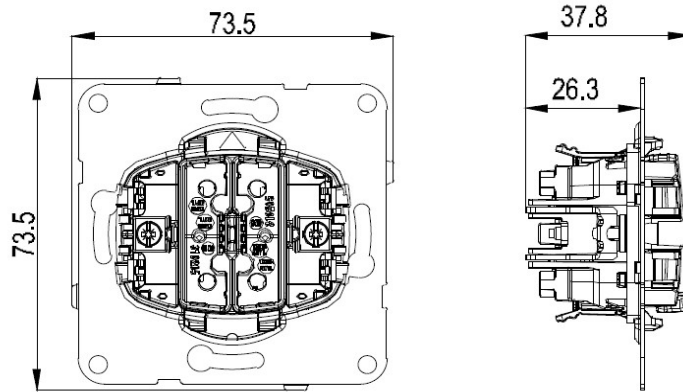
PRODUCT DATASHEET

Product Name :	Karre Plus 55 Shutter Control Mechanism
Product Code :	WDTT01222
Technical Specifications :	
<i>Rated Current :</i>	10AX, 250V ~
<i>Terminal Type :</i>	Quick Connection
Material of Button :	ABS (Acrylonitrile Butadine-Styrene)
Certificates :	VDE, CE, WEEE
Cable Standard:	
<i>Cable Diameter :</i>	1mm ² -2,5mm ²
<i>Applicable Cable:</i>	Solid Wire, Stranded Wire

Wiring and Circuit Diagram :



Dimensions :



Panasonic Electric Works Elektrik.San. ve Tic. A.Ş.

Abdurrhimgazi Mah. Ebubekir Cad. No: 44 Sancaktepe / İstanbul Tel: 0216 564 55 55 Fax: 0216 564 55 44

ewtr.panasonic.com