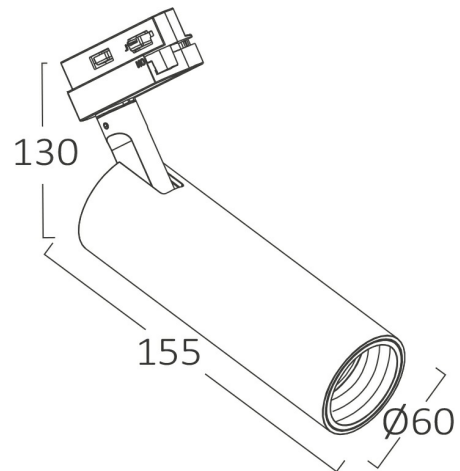


## PRODUCT DATASHEET

MODEL NO BD30-01431

DESCRIPTION BRY 15w 6500K SHOPLINE-PB-COB LED -2WRS-TRACKLIGHT



### General Characteristics

Model No	:	BD30-01431
Main Family	:	Track Lighting
Sub Family	:	LED Tracklight
Type	:	Tracklight
Body Color	:	Black
Lamp Shape	:	Non-Directional
Dimmable	:	Not-Dimmable
Light Source	:	LED
Socket	:	2 Wires
Warranty	:	2 years
Class	:	Class II
IP	:	IP20

### Electrical Characteristics

Lifetime	:	20000 h
Voltage	:	220-240V
Power Factor	:	>0,9
Material	:	Aluminium
Working Temperature	:	-20C+40C
Frequency	:	50-60 Hz

### Package Informations

N.W.	:	9,20 kgs
G.W.	:	9,78 kgs
PCS/CTN	:	20 pcs
Length	:	590 mm
Width	:	300 mm
Height	:	355 mm
EAN	:	5949097713910

### Product Characteristics

Wattage	:	15 w
Color Temperature	:	6500K
Quse Lumen	:	1180 lm
Color Rendering Index (CRI)	:	>80
Beam Angle	:	30° Degrees

### Dimensions & Weight

P. Length	:	155 mm
P. Width	:	60 mm
P. Height	:	130 mm
Weight	:	460 gr