

## PRODUCT DATASHEET

**V:KO**  
by **Panasonic**

**Product Name :** 3-Gang One Way Switch

**Product Code :** 90960\*68

**Product Series :** Karre

**Technical Specifications:**

*Rated Current :* 10AX, 250V~

*Terminal Type :* Screw Terminal

**Material :** ABS (Acrylonitrile Butadine-Styrene)

**Colour Options\*:** White, Beige

**Certificates :** TSE, VDE, NF, EAC, CE, WEEE

**Cable Standard :**

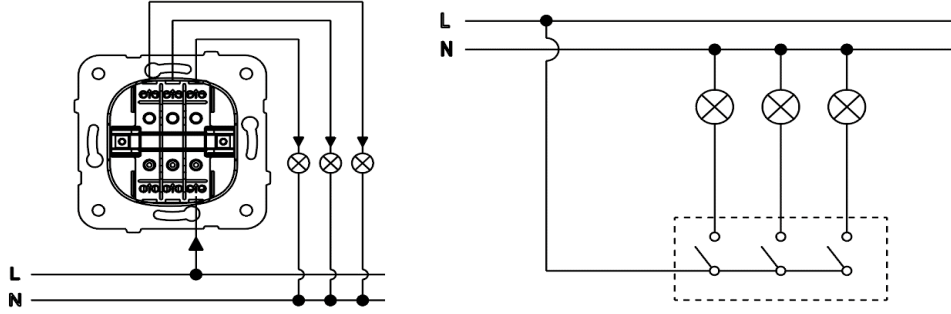
*Cable Diameter :* 1mm<sup>2</sup>-2,5mm<sup>2</sup>

*Applicable Cable :* Solid Wire, Stranded Wire

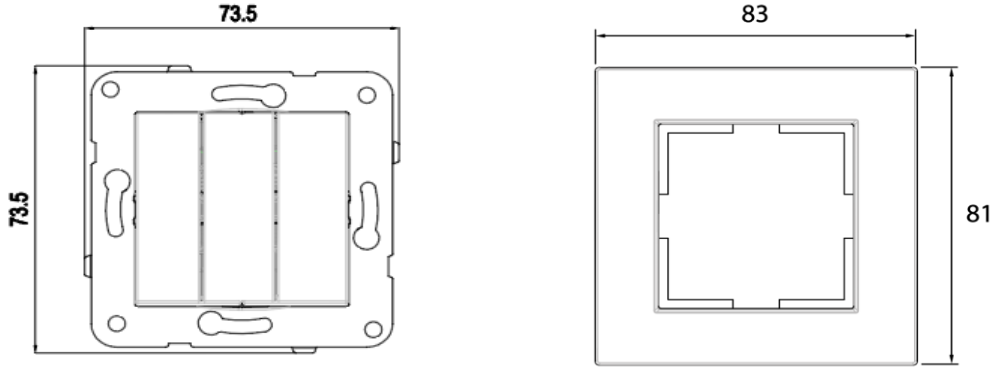


Screw  
Terminal

**Wiring Diagram:**



**Dimensions:**



Panasonic Electric Works Elektrik.San. ve Tic. A.Ş.  
Abdurrahmangazi Mah. Ebubekir Cad. No: 44 Sancaktepe / İstanbul Tel: 0216 564 55 55 Fax: 0216 564 55 44  
ewtr.panasonic.com  
info@tr.panasonic.com