

PRODUCT DATASHEET

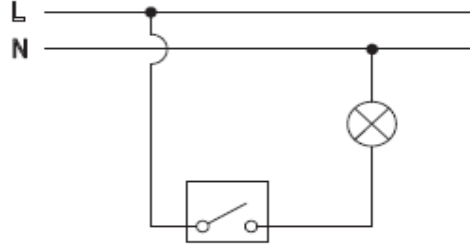
V:KO
by **Panasonic**

Product Name :	One-Way Switch
Product Code :	90682001
Product Series :	Vera
Technical Specifications :	
Rated Current :	10AX, 250V ~
Switch Function :	One-Way
Terminal Type :	Screw Terminal
Materials :	
Outer Body :	Glass-Fibre reinforced PP
Rocker :	ABS
Mechanism :	PC
Certifications :	TSE, VDE, NF, EAC, CE
Color Options:	White, Beige, Mahogany
Cable Standard:	
Cable Diameter :	1mm ² -2,5mm ²
Applicable Cable:	Solid Wire, Stranded Wire
IP Degree:	IP20

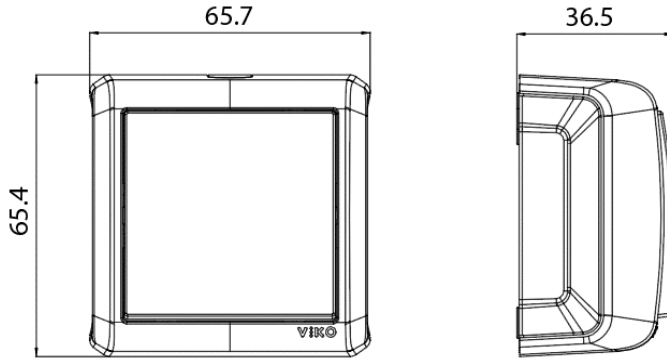


Screw
Terminal

Circuit Diagram:



Dimensions:



Panasonic Electric Works Elektrik.San. ve Tic. A.Ş.

Abdurrahmangazi Mah. Ebubekir Cad. No: 44 Sancaktepe / İstanbul Tel: 0216 564 55 55 Fax: 0216 564 55 44

ewtr.panasonic.com