

PRODUCT DATASHEET



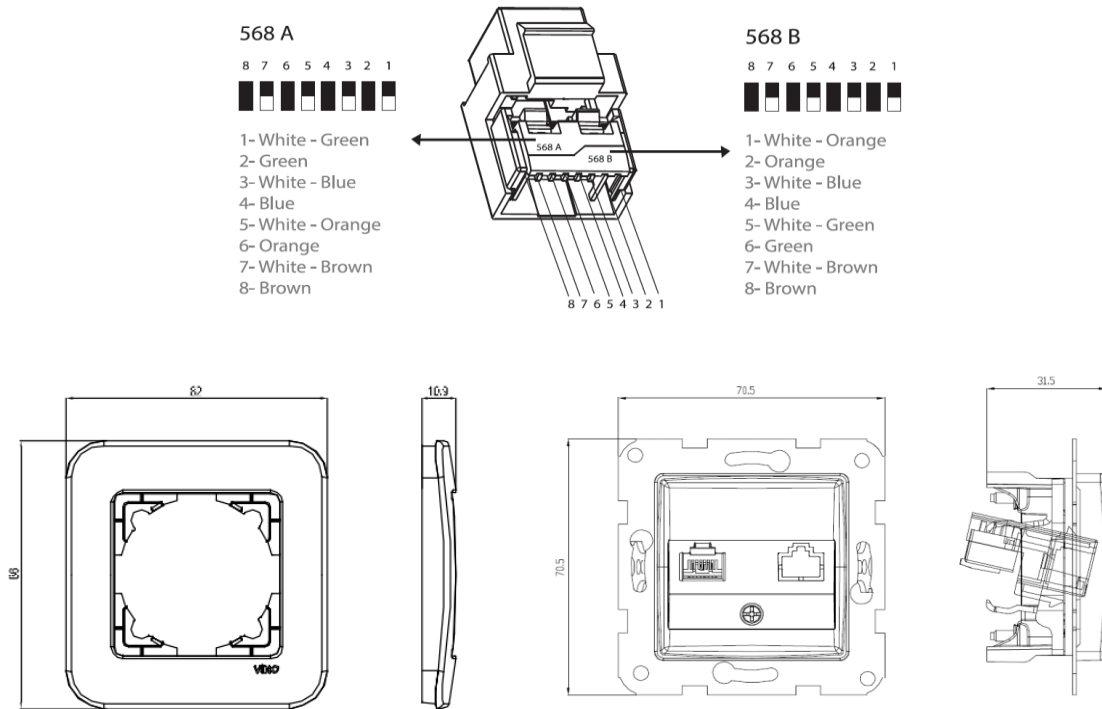
Product Name :	Single Numeris RJ45 CAT5
Product Code :	90420032
Product Series :	Rollina
Technical Specifications:	
Material :	ABS (Acrylonitrile Butadine-Styrene)
Certificates :	CE, PGD, WEEE



Product Details :

CAT5E data socket is suitable for 100 MHz data transmission.
CAT5E complies EIA/TIA standards and 568A-568B supports EIA/TIA.
Diameter of conductor to be used in numeris socket is between the range of 0.40 mm - 0.64 mm.

Wiring Diagram and Dimensions:



Panasonic Electric Works Elektrik.San. ve Tic. A.Ş.
 Abdurrahmangazi Mah. Ebubekir Cad. No: 44 Sancaktepe / İstanbul Tel: 0216 564 55 55 Fax: 0216 564 55 44
 ewtr.panasonic.com